

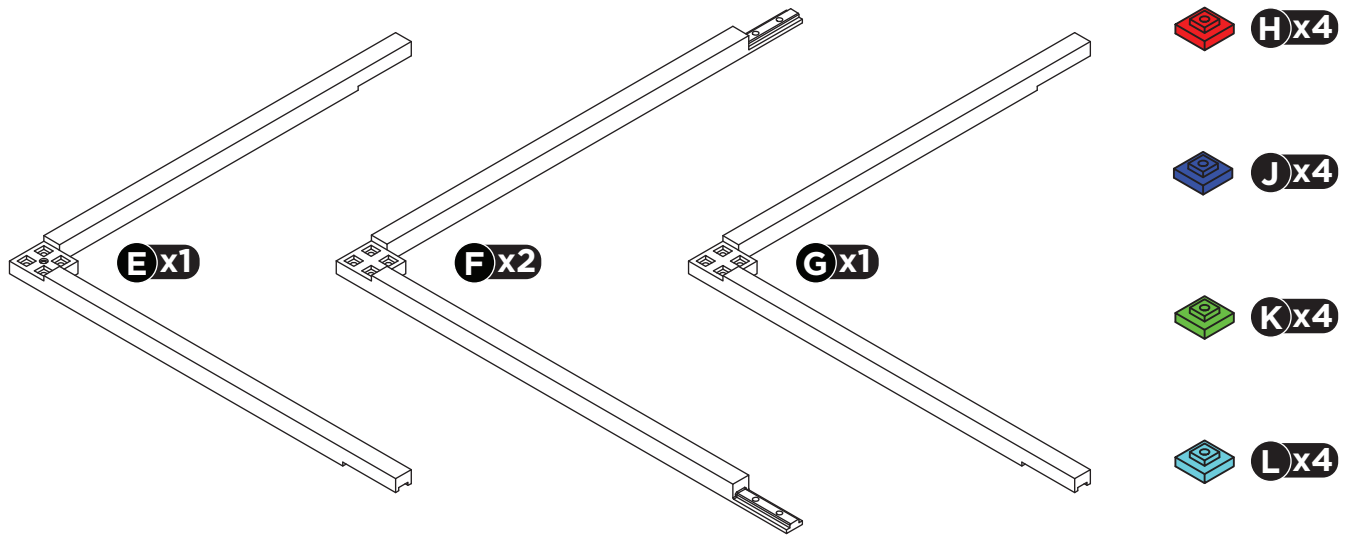
# 19.69in Reference



•• Assembly Instructions ••

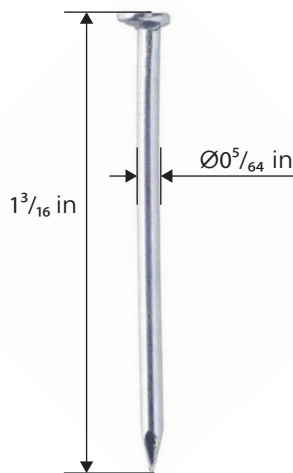
# Spare parts

## 3D printed parts



## To buy in any DIY/Hardware shop

**M x1** Stainless steel nail



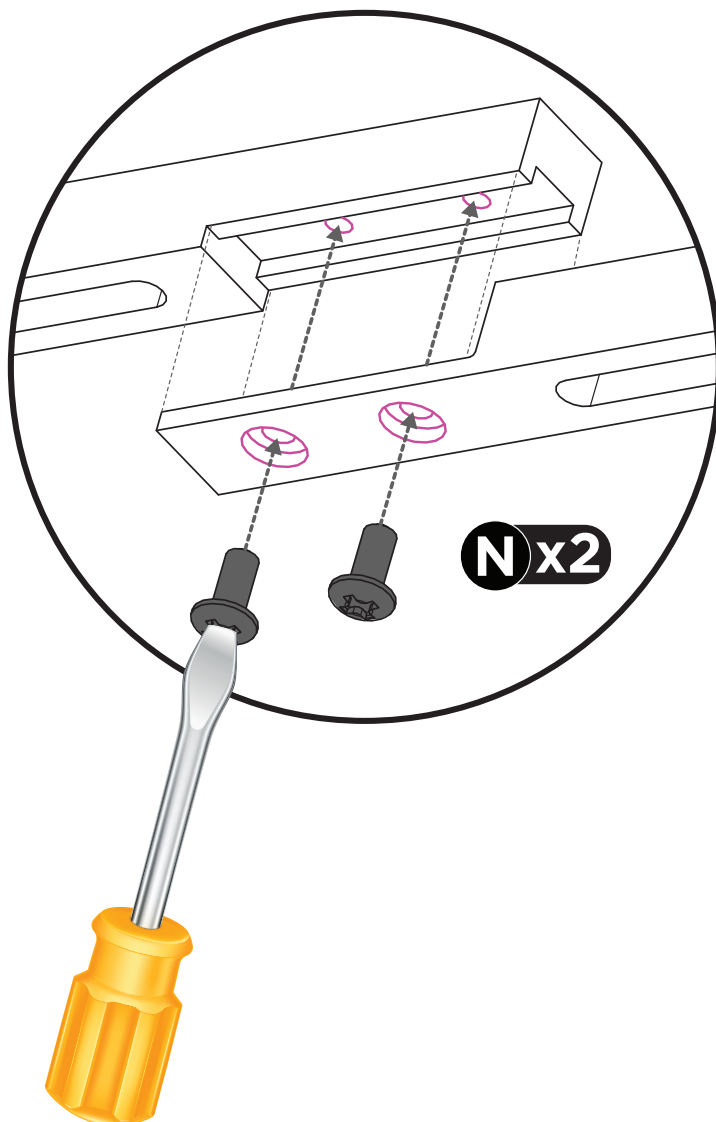
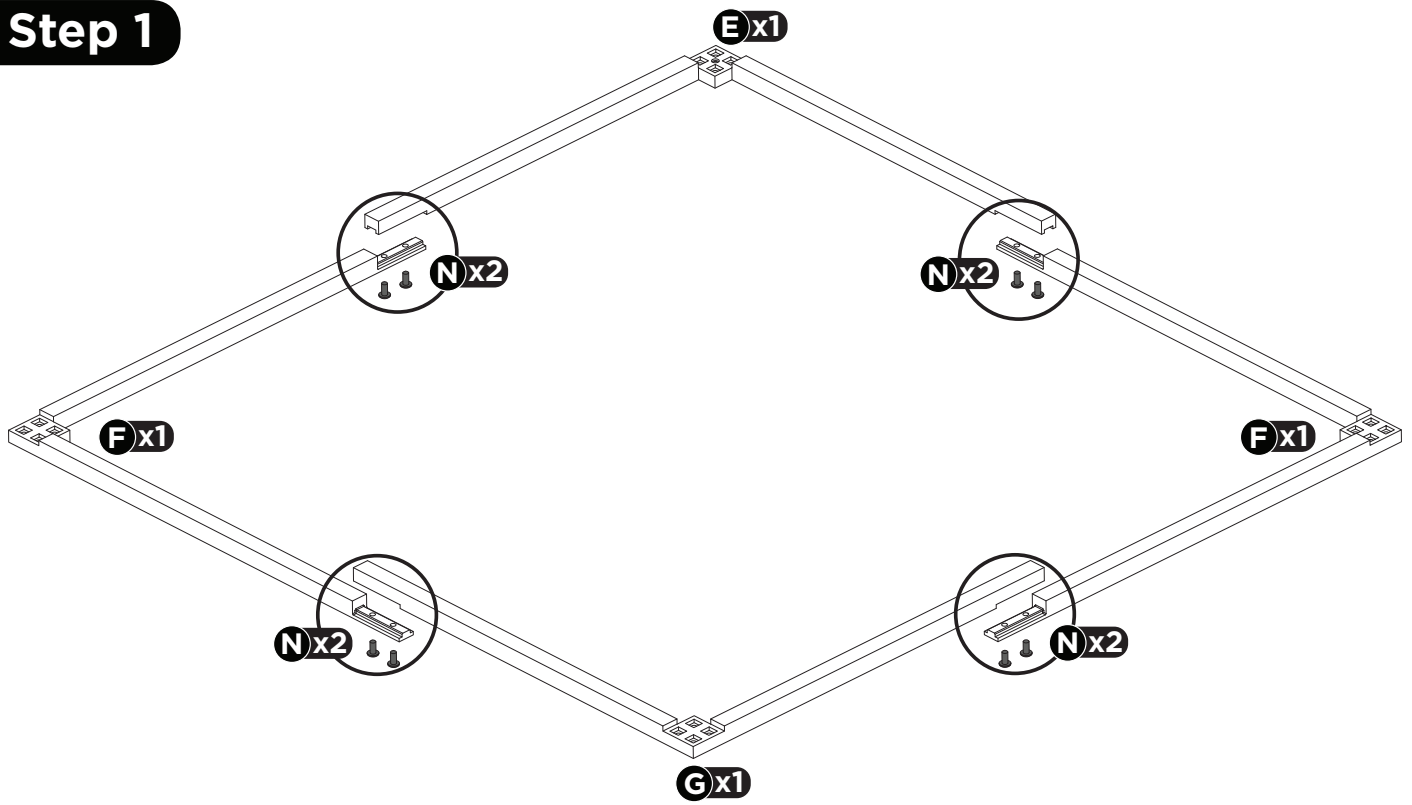
**N x24** Zinc plated sheet metal screws



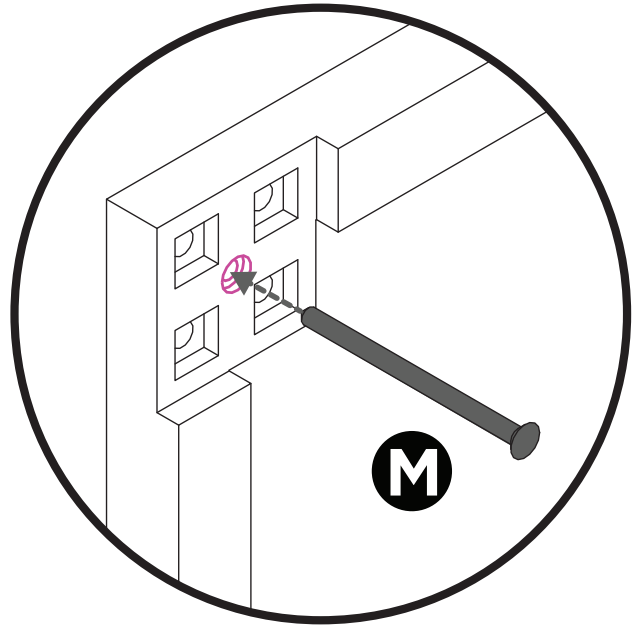
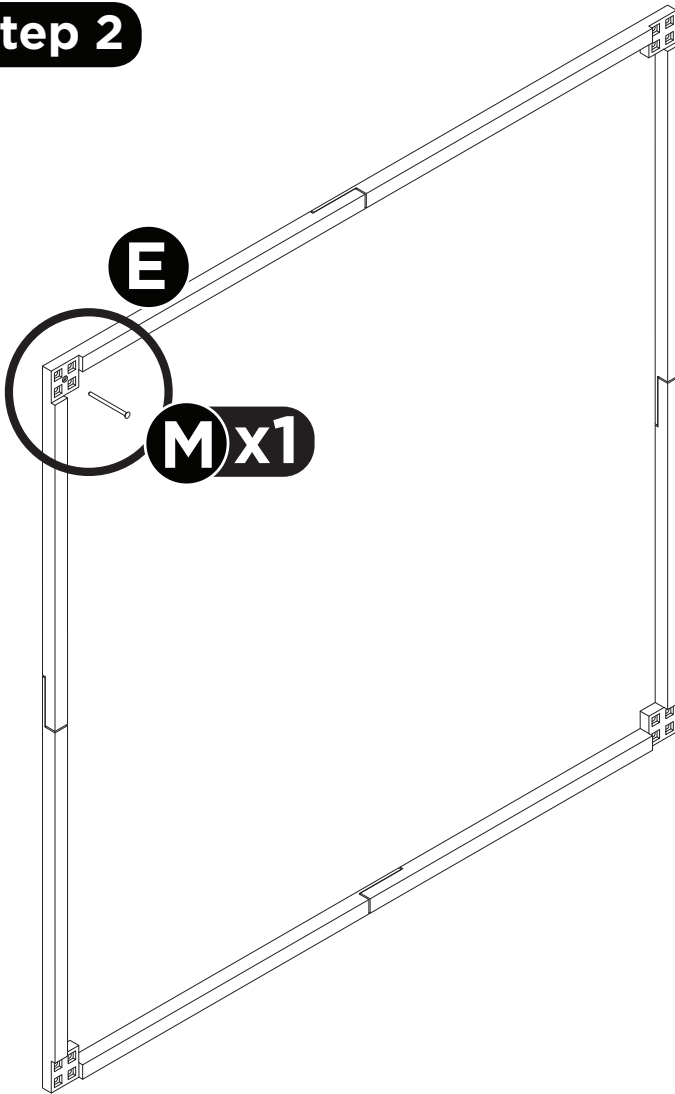
**P x1** Screwdriver



# Step 1

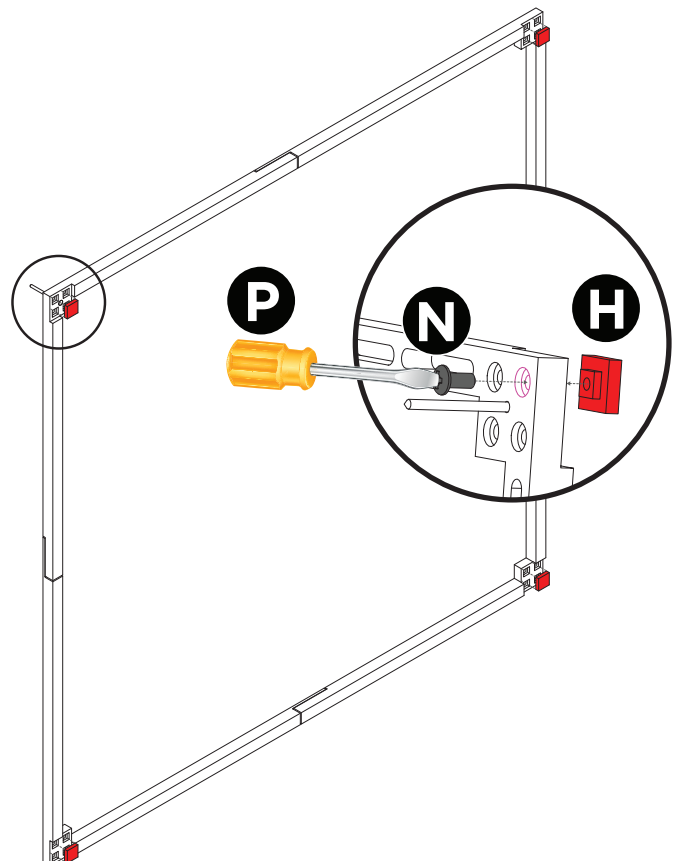
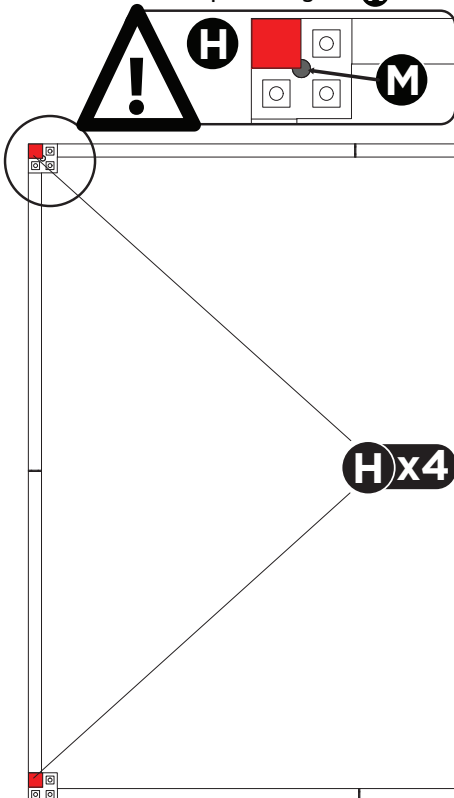


## Step 2



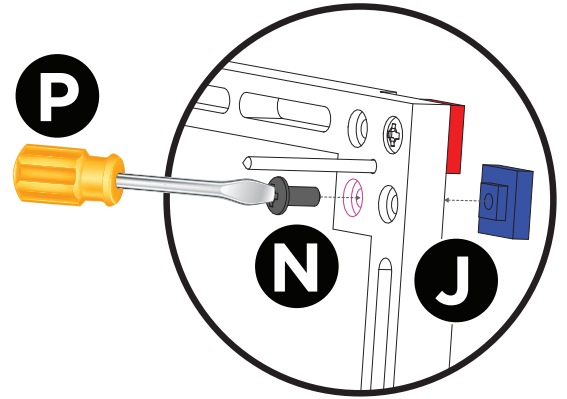
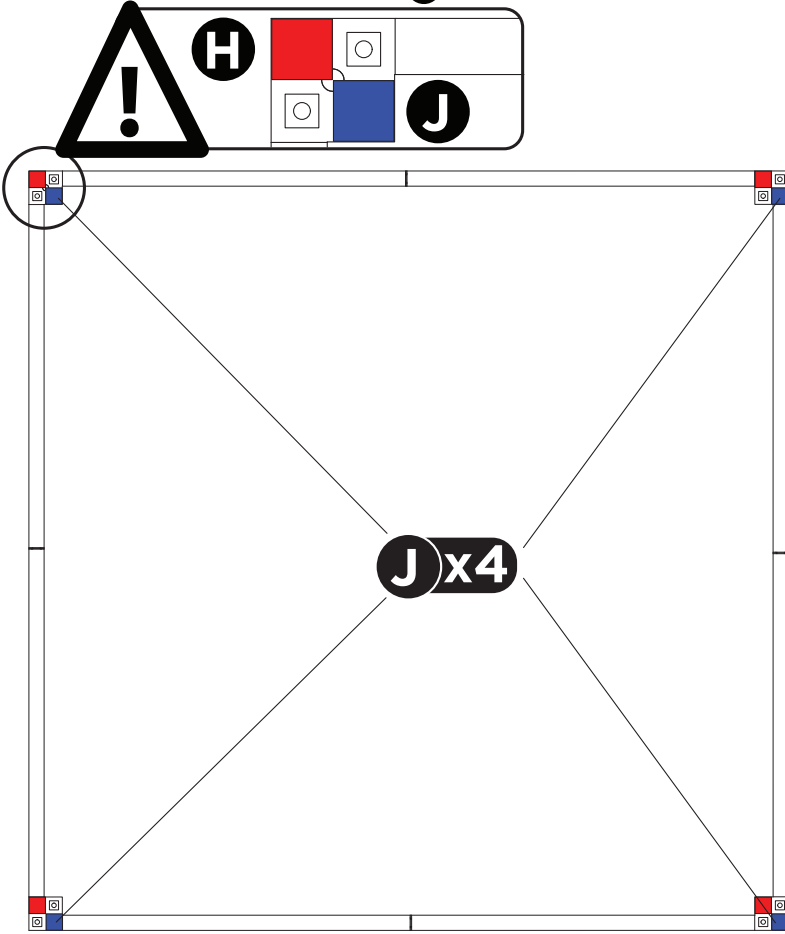
## Step 3

Keep **M** as reference for positioning the **H**



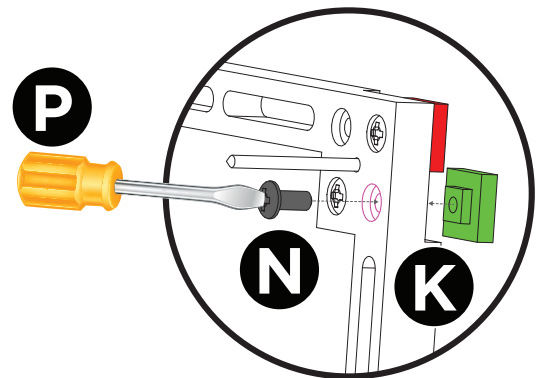
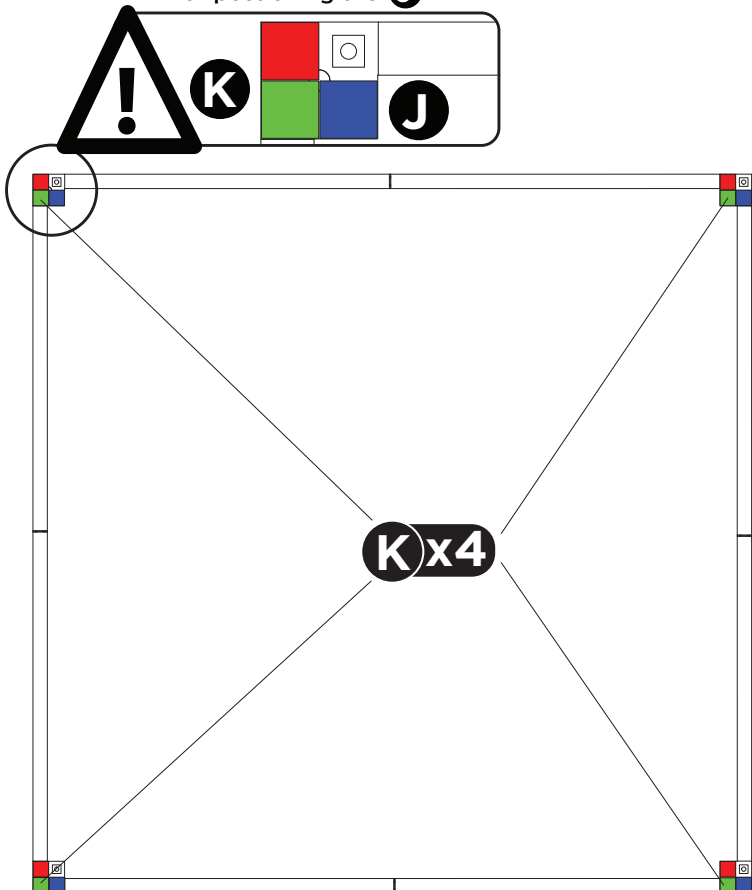
## Step 4

Keep **H** as reference  
for positioning the **J**



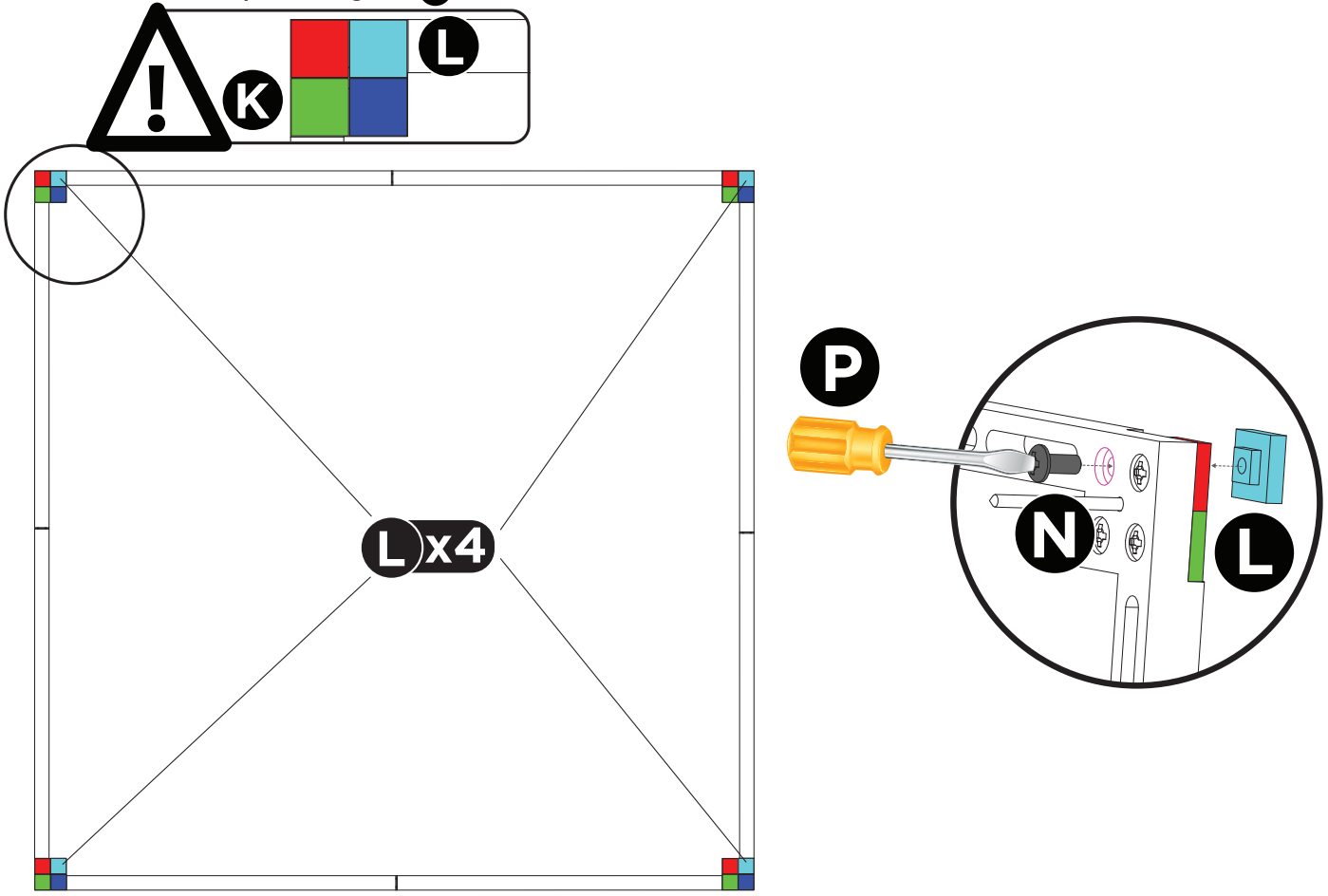
## Step 5

Keep **K** as reference  
for positioning the **J**

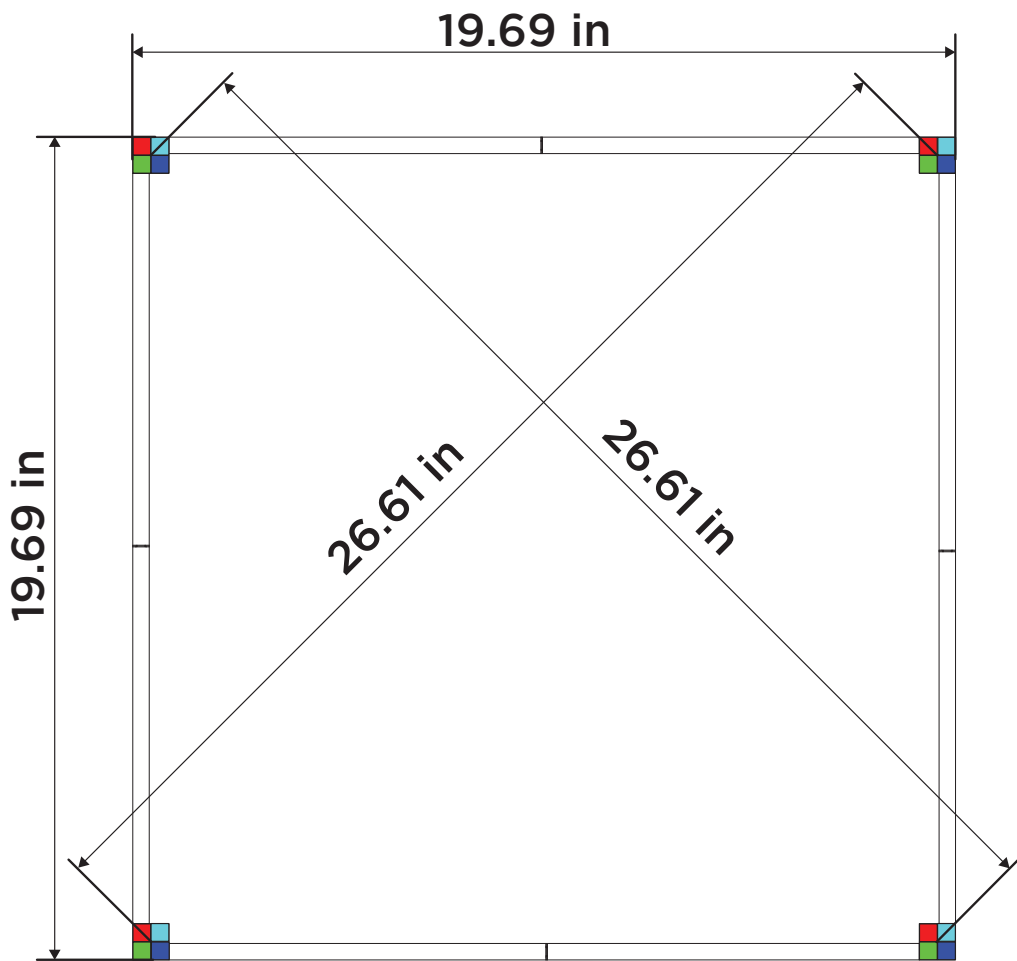


## Step 6

Keep **K** as reference  
for positioning the **L**



## Step 7



# Final

Keep in mind: when placing the reference on the bundle, make sure that all the corners have the red color at the top.

